

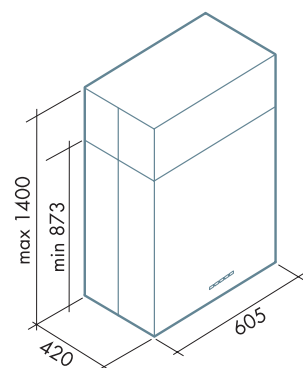
# ALTAIR

## Caratteristiche generali

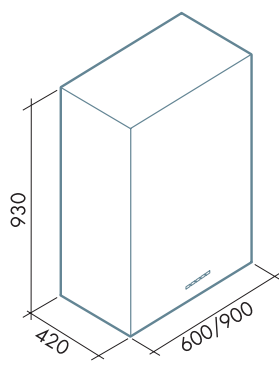
Acciaio inox (AISI 304) spazzolato. Filtro antigrasso metallico, asportabile e lavabile. Filtro carbone. Pulsantiera elettronica.

## General features

Scotch brite Stainless steel (AISI 304). Metallic grease filter, removable and washable. Charcoal filter. Electronic optical control.



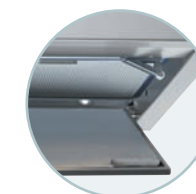
isola/island



parete/wall



Aspirazione perimetrale  
Perimeter suction



Pannello fonoassorbente apribile ed asportabile  
Opening and removable noise reduction panel



isola/island

60

/

/



parete/wall

60

90

/

### motore e comandi / motor and control

450 m<sup>3</sup>/h 3 vel.    600 m<sup>3</sup>/h 3 vel.    800 m<sup>3</sup>/h 4 vel.

P.E.L.

P.E.L.

### filtri / filters

"Base"    "Design"    carbone/charcoal

235 x 245 mm

2 / 6 \*

### illuminazione / lighting

Halogen lamp    Dicroica lamp    Incandescent lamp    Fluorescent lamp

4 x 20 Watt

2 x 20 Watt

2 x 20 Watt

ACCESSORI OPZIONALI DISPONIBILI: Aspiratore sottotetto (solo versione 800 m<sup>3</sup>/h) - Aspiratore esterno (solo versione 800 m<sup>3</sup>/h) - Salvietta *Magic Steel*  
AVAILABLE OPTIONAL ACCESSORIES: Under-roof extractor fan (only 800 m<sup>3</sup>/h version) - Outdoor extractor fan (only 800 m<sup>3</sup>/h version) - *Magic Steel* protective and cleaning wipe

\* Tipo 2 per versione 600 m<sup>3</sup>/h, tipo 6 per versione 800 m<sup>3</sup>/h

\* Charcoal filter n. 2 for motor 600 m<sup>3</sup>/h, charcoal filter n. 6 for motor 800 m<sup>3</sup>/h

# ALTAIR

# Design

new  
600 800

AIS 304

