

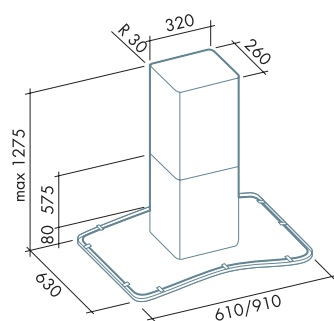
ASTRA inox

Caratteristiche generali

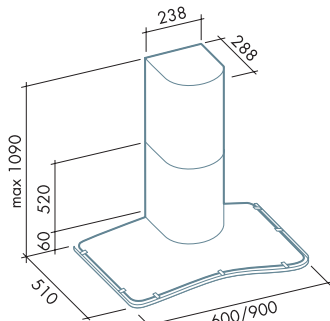
Acciaio inox (AISI 304) spazzolato. Filtro antigrasso metallico, asportabile e lavabile. Filtro carbone.

General features

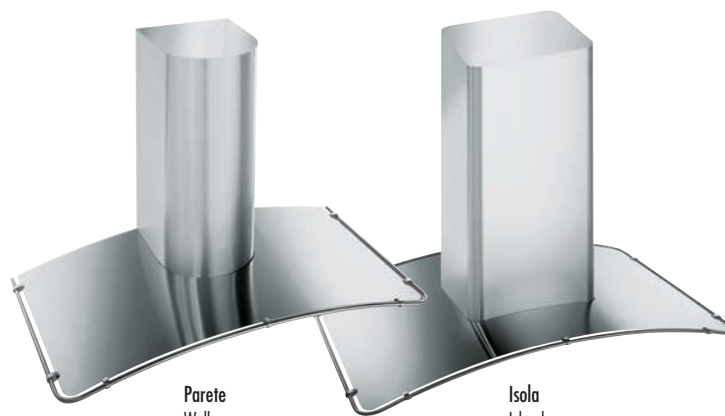
Scotch brite Stainless steel (AISI 304). Metallic grease filter, removable and washable. Charcoal filter.



isola/island



parete/wall



Parete
Wall

Isola
Island



Pratico bastone portamestoli
Ladle holder



NEW!
Faretto alogeno con apertura "Easy Open"
Halogen light with "Easy Open" system



isola/island

60

90

/



parete/wall

60

90

/

motore e comandi / motor and control

450 m³/h 3 vel. 600 m³/h 3 vel. 800 m³/h 4 vel.

P.M.

P.E.L.

P.M.

P.E.L.

filtri / filters

"Base" "Top" carbone/charcoal

278 x 301 mm

3

235 x 245 mm

3

illuminazione / lighting

Halogen lamp Dicroica lamp Incandescent lamp Fluorescent lamp

4 x 20 Watt

4 x 20 Watt

2 x 20 Watt

2 x 20 Watt

ACCESSORI OPZIONALI DISPONIBILI: Aspiratore sottotetto (solo versione 800 m³/h) - Aspiratore esterno (solo versione 800 m³/h) - Prolunga camino parete - Prolunga camino isola - Salvietta *Magic Steel*
AVAILABLE OPTIONAL ACCESSORIES: Under-roof extractor fan (only 800 m³/h version) - Outdoor extractor fan (only 800 m³/h version) - Wall chimney extension - Island chimney extension - *Magic Steel* protective and cleaning wipe

ASTRA inox

Design

^{new}
450 600 800

AISI 304



Design