

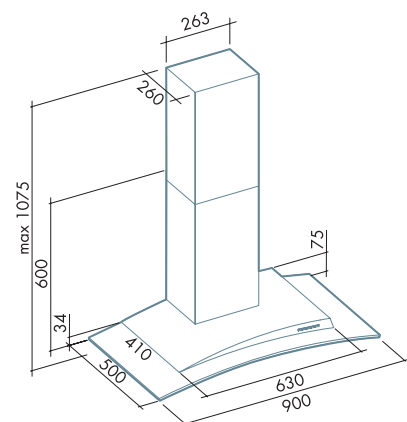
ATLAS inox

Caratteristiche generali

Acciaio inox (AISI 304) spazzolato. Filtro antigrasso metallico, asportabile e lavabile. Filtro carbone.

General features

Scotch brite Stainless steel (AISI 304). Metallic grease filter, removable and washable. Charcoal filter. Electronic optical control.



Pulsantiera elettronica
Electronic soft touch control



isola/island

/

/

/



parete/wall

/

90

/

motore e comandi / motor and control

450 m³/h 3 vel. 600 m³/h 3 vel. 800 m³/h 4 vel.

filtri / filters

"Base" "Top" carbone/charcoal

illuminazione / lighting

Halogen lamp Dicroica lamp Incandescent lamp Fluorescent lamp

ACCESSORI OPZIONALI DISPONIBILI: Prolunga camino parete - Aspiratore sottotetto (solo versione 800 m³/h) - Aspiratore esterno (solo versione 800 m³/h) - Salvietta *Magic Steel*

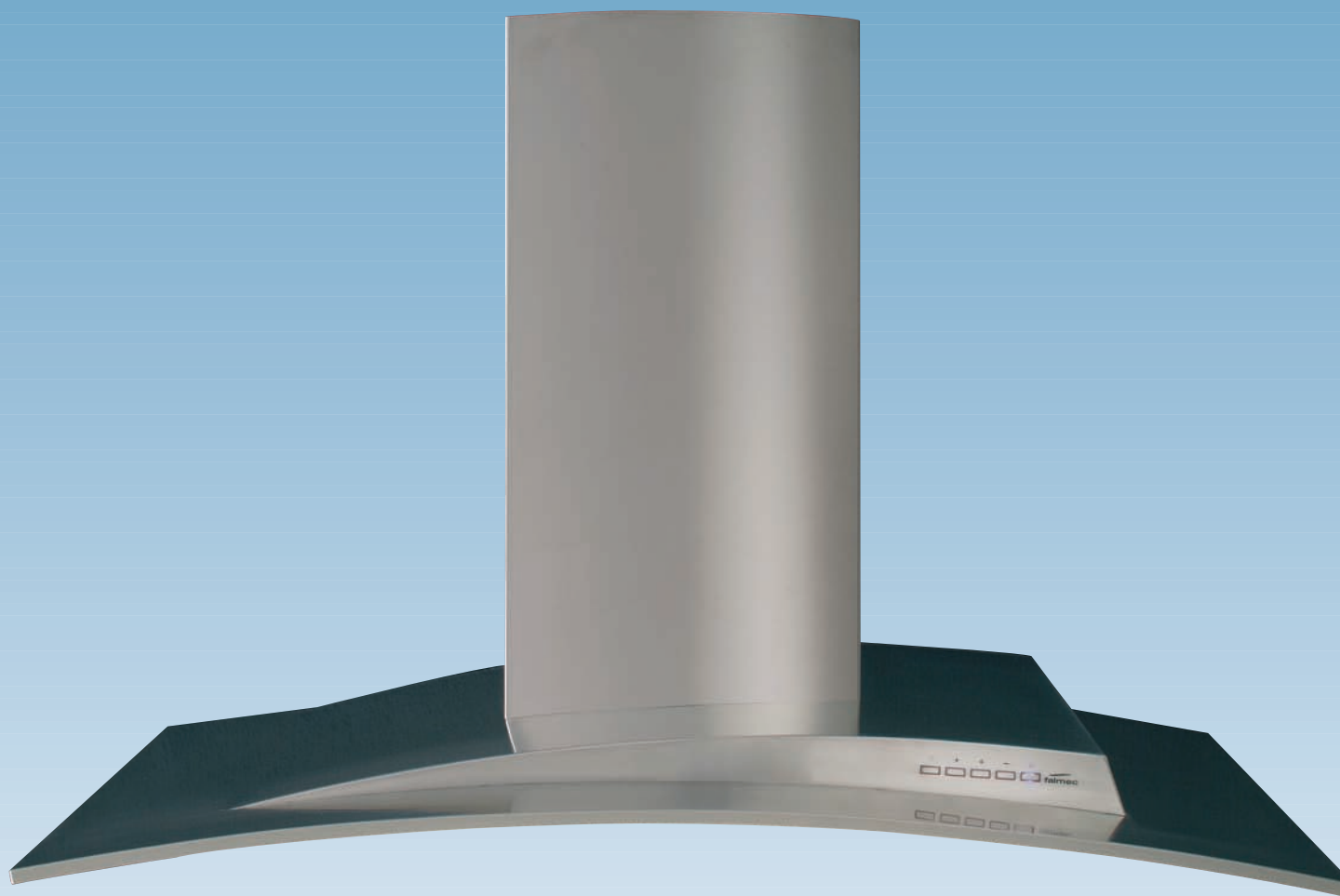
AVAILABLE OPTIONAL ACCESSORIES: Wall chimney extension - Under-roof extractor fan (only 800 m³/h version) - Outdoor extractor fan (only 800 m³/h version) - *Magic Steel* protective and cleaning wipe

ATLAS inox

Design

new
600 800

AISI 304



Design