

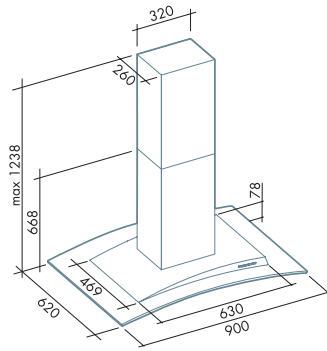
# ATLAS vetro

## Caratteristiche generali

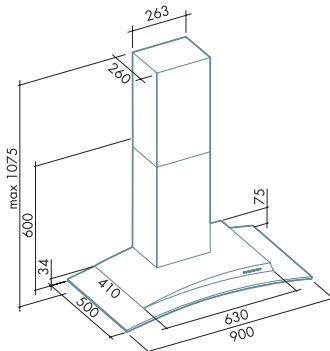
Acciaio inox (AISI 304) spazzolato. Filtro antigrasso metallico, asportabile e lavabile. Filtro carbone. Finitura bordo inferiore: mantello in vetro.

## General features

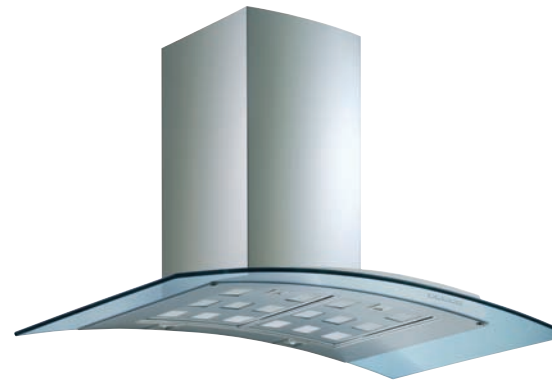
Scotch brite Stainless steel (AISI 304). Metallic grease filter, removable and washable. Charcoal filter. Electronic optical control. Lower frame finishing glass shell.



isola/island



parete/wall



Pulsantiera elettronica  
Electronic soft touch control



isola/island

/

90

/



parete/wall

/

90

/

### motore e comandi / motor and control

450 m<sup>3</sup>/h 3 vel.      600 m<sup>3</sup>/h 3 vel.      800 m<sup>3</sup>/h 4 vel.

P.E.L.

P.E.L.

### filtri / filters

"Base"      "Top"      carbone/charcoal

Atlas

3

### illuminazione / lighting

Halogen lamp      Dicroica lamp      Incandescent lamp      Fluorescent lamp

4 x 20 Watt

2 x 20 Watt

ACCESSORI OPZIONALI DISPONIBILI: Prolunga camino parete - Aspiratore sottotetto (solo versione 800 m<sup>3</sup>/h) - Aspiratore esterno (solo versione 800 m<sup>3</sup>/h) - Salvietta *Magic Steel*

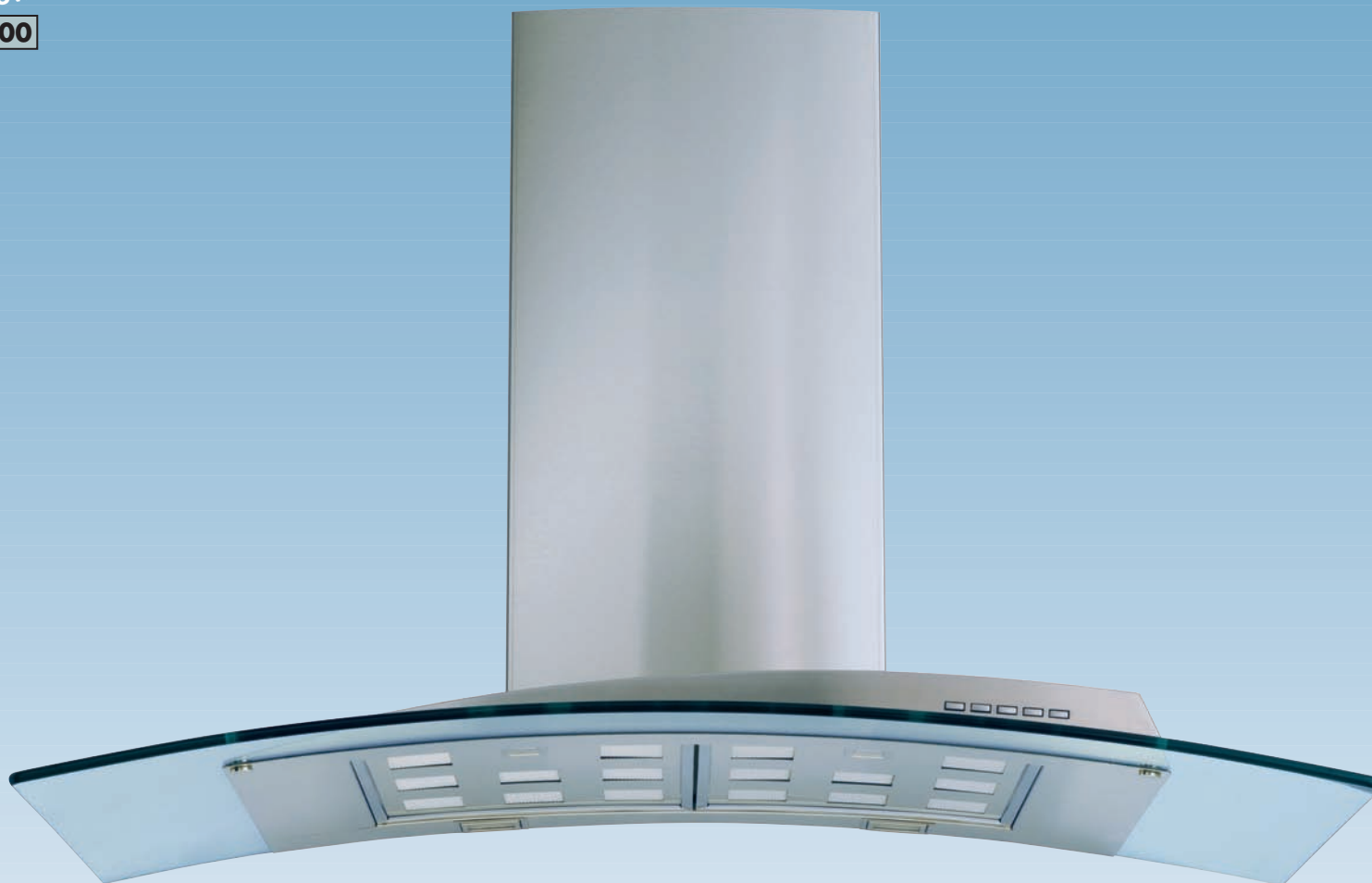
AVAILABLE OPTIONAL ACCESSORIES: Wall chimney extension - Under-roof extractor fan (only 800 m<sup>3</sup>/h version) - Outdoor extractor fan (only 800 m<sup>3</sup>/h version) - *Magic Steel* protective and cleaning wipe

# ATLAS vetro

Design

new  
600 800

AISI 304



Design