

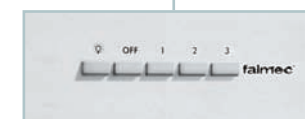
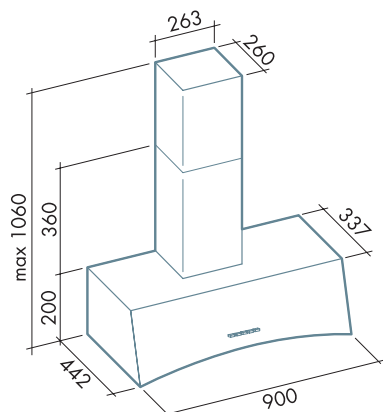
# HYDRA

## Caratteristiche generali

Acciaio inox (AISI 304) spazzolato. Filtro antigrasso metallico, asportabile e lavabile. Filtro carbone.

## General features

Scotch brite Stainless steel (AISI 304). Metallic grease filter, removable and washable. Charcoal filter.



Pulsantiera meccanica  
Push button



isola/island

/

/

/



parete/wall

/

90

/

### motore e comandi / motor and control

450 m<sup>3</sup>/h 3 vel.    600 m<sup>3</sup>/h 3 vel.    800 m<sup>3</sup>/h 4 vel.

### filtri / filters

"Base"    "Design"    carbone/charcoal

### illuminazione / lighting

Halogen lamp    Dicroica lamp    Incandescent lamp    Fluorescent lamp

ACCESSORI OPZIONALI DISPONIBILI: Prolunga camino parete - Kit parete acciaio - Salvietta *Magic Steel*  
AVAILABLE OPTIONAL ACCESSORIES: Wall chimney extension - Stainless steel backsplash - *Magic Steel* protective and cleaning wipe

# HYDRA

Design

600

AISI 304

