

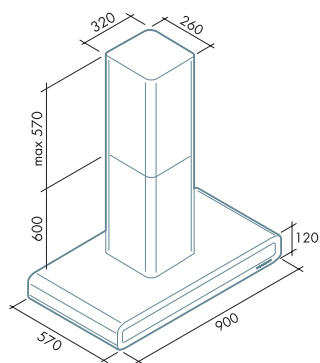
ICON

Caratteristiche generali

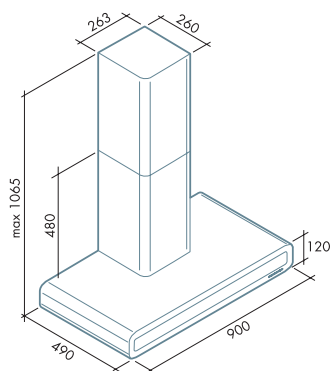
Acciaio inox (AISI 304) spazzolato. Pulsantiera elettronica. Aspirazione perimetrale. Filtro antigrasso metallico, asportabile e lavabile. Filtro carbone.

General features

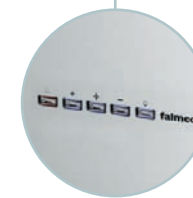
AISI 304 scotch brite finishing stainless steel. Electronic soft touch control. Perimetral aspiration. Removable, washable metallic anti-grease filter. Carbon filter.



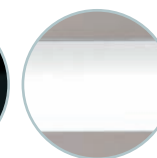
isola/island



parete/wall



Pulsantiera elettronica
Electronic optical control



Frontale nero
Frontale bianco retroilluminato
Black front available
White illuminated front available



isola/island

/

90

/



parete/wall

/

90

/

motore e comandi / motor and control

450 m³/h 3 vel. 600 m³/h 3 vel. 800 m³/h 4 vel.

P.E.L.

P.E.L.

filtri / filters

"Base" "Design" carbone/charcoal

277 x 294 mm

3

illuminazione / lighting

Halogen lamp Dicroica lamp Incandescent lamp Fluorescent lamp

2 x 21 Watt

1 x 21 Watt

ACCESSORI OPZIONALI DISPONIBILI: Aspiratore sottotetto (solo versione 800 m³/h) - Aspiratore esterno (solo versione 800 m³/h) - Prolunga camino isola - Salvietta *Magic Steel*

AVAILABLE OPTIONAL ACCESSORIES: Under-roof extractor fan (only 800 m³/h version) - Outdoor extractor fan (only 800 m³/h version) - Island chimney extension - *Magic Steel* protective and cleaning wipe

ICON design by Nico Smeenk

Design

new
600 800

AIS 304



Design