

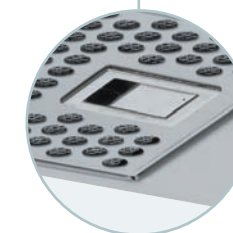
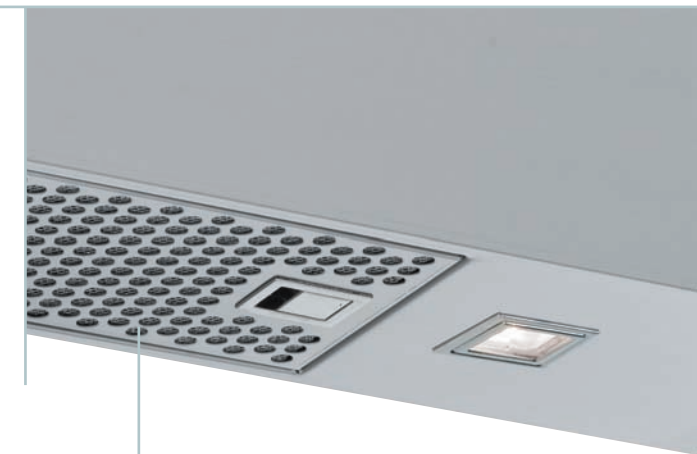
LOGO

Caratteristiche generali

Acciaio inox (AISI 304) spazzolato. Filtro antigrasso metallico, asportabile e lavabile. Filtro carbone. Pulsantiera elettronica.

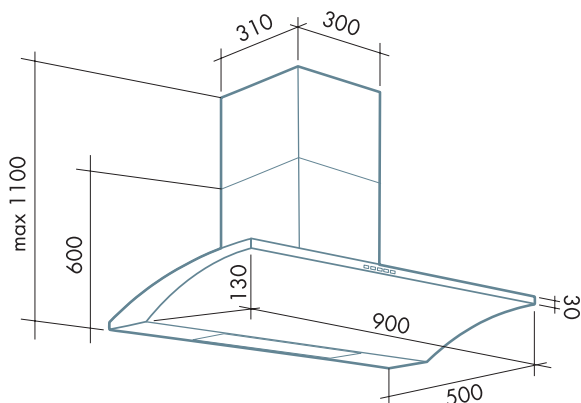
General features

Scotch brite Stainless steel (AISI 304). Metallic grease filter, removable and washable. Charcoal filter. Electronic optical control.



Filtro modello "LOGO"
"LOGO" filter

Retro aspirazione
Back-aspiration



		motore e comandi / motor and control			filtri / filters			illuminazione / lighting					
		450 m ³ /h <u>3 vel.</u>	600 m ³ /h <u>3 vel.</u>	800 m ³ /h <u>4 vel.</u>	"Base"	"Design"	carbone/charcoal	Halogen lamp	Dicroica lamp	Incandescent lamp	Fluorescent lamp		
	isola/island												
	/												
	/												
	parete/wall												
	/												
	90		P.E.L.	P.E.L.		Logo	3		2 x 20 Watt				
/													

ACCESSORI OPZIONALI DISPONIBILI: Aspiratore sottotetto (solo versione 800 m³/h) - Aspiratore esterno (solo versione 800 m³/h) - Salvietta *Magic Steel*
 AVAILABLE OPTIONAL ACCESSORIES: Under-roof extractor fan (only 800 m³/h version) - Outdoor extractor fan (only 800 m³/h version) - *Magic Steel* protective and cleaning wipe

LOGO

Design

new
600 800

AIS 304



Design