

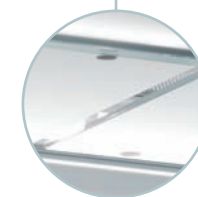
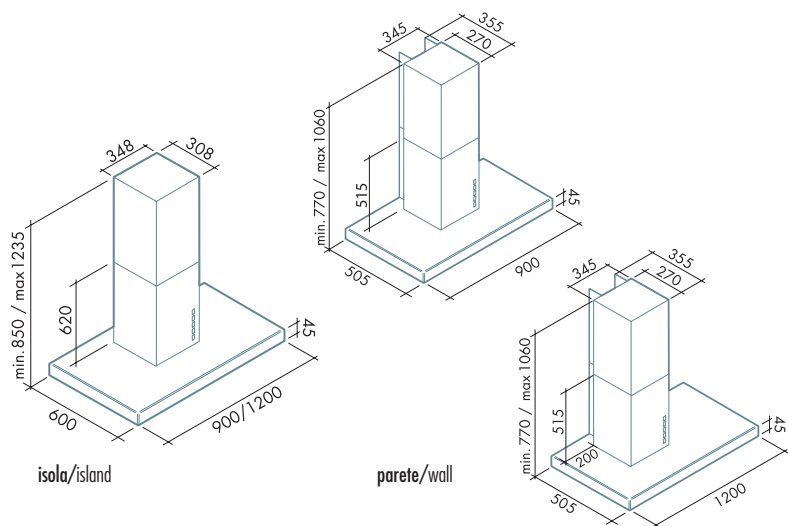
LUX

Caratteristiche generali

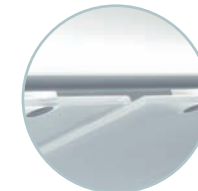
Acciaio inox Fasteel antimpronta spazzolato e vetro acidato temperato. Filtro antigrasso metallico, asportabile e lavabile. Filtro carbone. Pulsantiera elettronica.

General features

Scotch brite Fasteel no finger prints and tempered glass. Metallic grease filter, removable and washable. Charcoal filter. Electronic optical control.



Aspirazione perimetrale
Perimeter suction



Pannelli magnetici asportabili
Removable magnetic panels



isola/island

/

90

120



parete/wall

/

90

120

motore e comandi / motor and control

450 m³/h 3 vel. 600 m³/h 3 vel. 800 m³/h 4 vel.

P.EL.

P.EL.

P.EL.

P.EL.

filtri / filters

"Base" "Design" carbone/charcoal

235 x 245 mm

235 x 245 mm

235 x 245 mm

235 x 245 mm

3

3

3

3

illuminazione / lighting

Halogen lamp Dicroica lamp Incandescent lamp Fluorescent lamp

2 x 21 Watt

2 x 28 Watt

2 x 21 Watt

2 x 28 Watt

ACCESSORI OPZIONALI DISPONIBILI: Aspiratore sottotetto - Aspiratore esterno
AVAILABLE OPTIONAL ACCESSORIES: Under-roof extractor fan - Outdoor extractor fan

LUX

fasteel

new
800 © PATENTED



Fasteel