

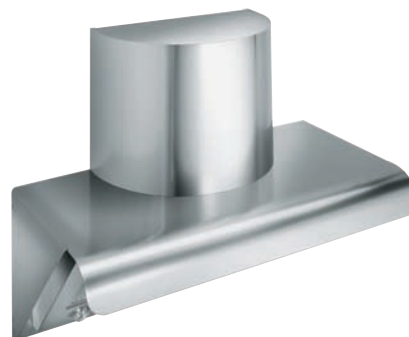
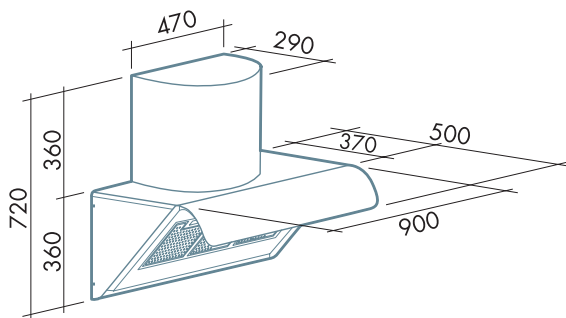
NICOLE

Caratteristiche generali

Acciaio inox (AISI 304) spazzolato. Filtro antigrasso metallico, asportabile e lavabile. Filtro carbone.

General features

Scotch brite Stainless steel (AISI 304). Metallic grease filter, removable and washable. Charcoal filter.



NEW!
Faretto alogeno con apertura "Easy Open"
Halogen light with "Easy Open" system



isola/island

/
/
/



parete/wall

/
90
/

motore e comandi / motor and control

450 m³/h 3 vel. 600 m³/h 3 vel. 800 m³/h 4 vel.

filtri / filters

"Base" "Design" carbone/charcoal

illuminazione / lighting

Halogen lamp Dicroica lamp Incandescent lamp Fluorescent lamp

ACCESSORI OPZIONALI DISPONIBILI: Filtro Top - Salvietta *Magic Steel*
AVAILABLE OPTIONAL ACCESSORIES: Top grease filter - *Magic Steel* protective and cleaning wipe

NICOLE

Design

450 600 

AIS 304

