

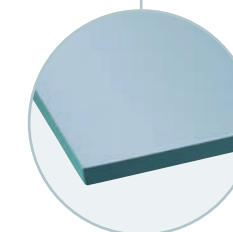
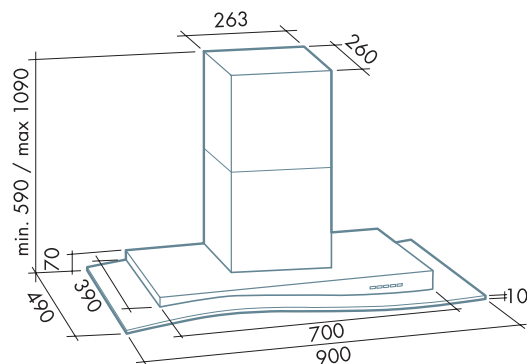
# ONDA vetro

## Caratteristiche generali

Acciaio inox (AISI 304) spazzolato. Filtro antigrasso metallico, asportabile e lavabile. Filtro carbone. Pulsantiera elettronica. Finitura bordo inferiore: mantello in vetro.

## General features

Scotch brite Stainless steel (AISI 304). Metallic grease filter, removable and washable. Charcoal filter. Electronic optical control. Lower frame finishing glass shell.



Mantello in vetro  
Glass shell



isola/island

/

/

/



parete/wall

/

90

/

### motore e comandi / motor and control

450 m<sup>3</sup>/h 3 vel.

600 m<sup>3</sup>/h 3 vel.

800 m<sup>3</sup>/h 4 vel.

### filtri / filters

"Base"

"Top"

carbone/charcoal

### illuminazione / lighting

Halogen lamp

Dicroica lamp

Incandescent lamp

Fluorescent lamp

ACCESSORI OPZIONALI DISPONIBILI: Aspiratore sottotetto (solo versione 800 m<sup>3</sup>/h) - Aspiratore esterno (solo versione 800 m<sup>3</sup>/h) - Prolunga camino parete - Salvietta *Magic Steel*

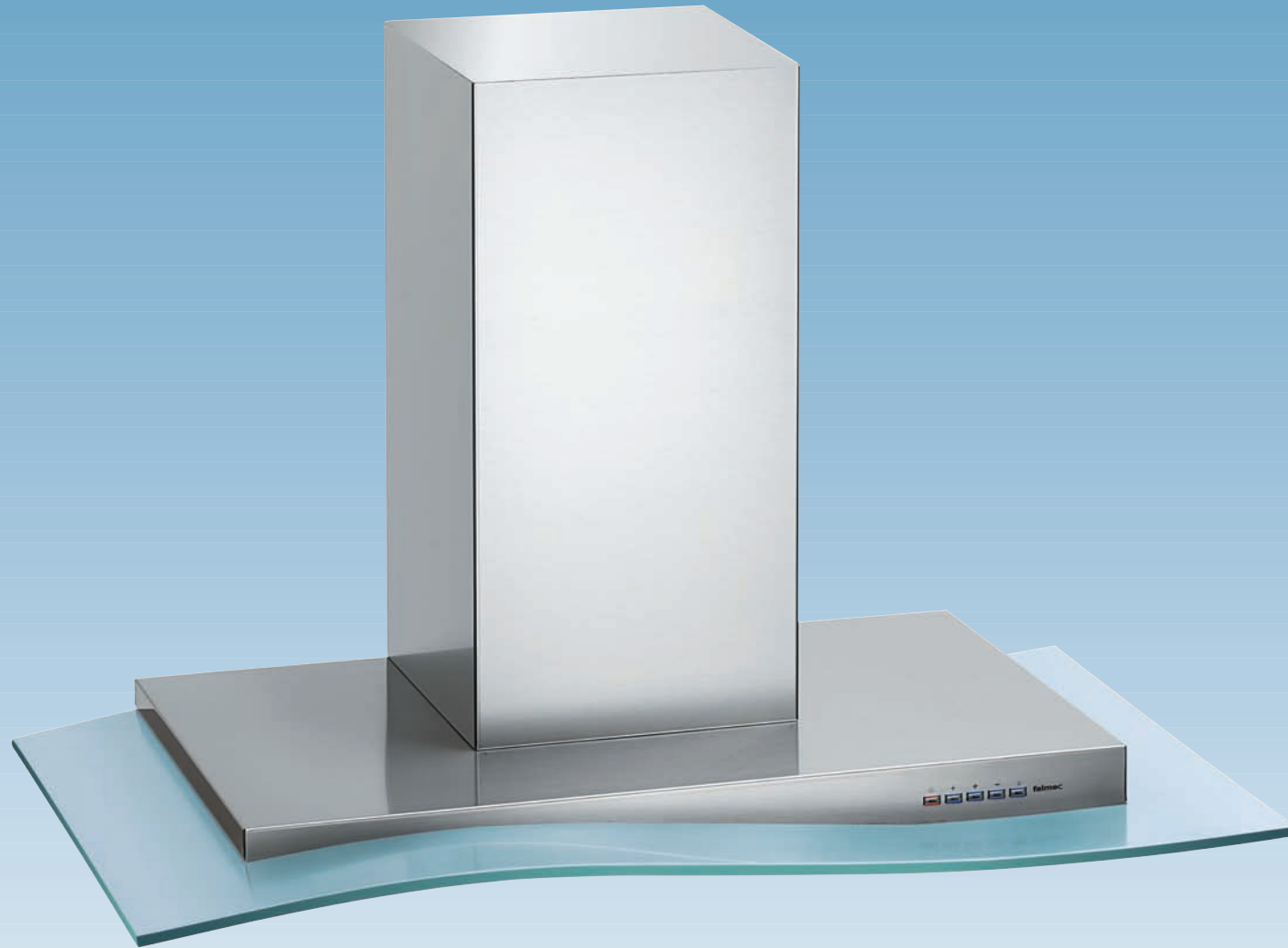
AVAILABLE OPTIONAL ACCESSORIES: Under-roof extractor fan (only 800 m<sup>3</sup>/h version) - Outdoor extractor fan (only 800 m<sup>3</sup>/h version) - Wall chimney extension - *Magic Steel* protective and cleaning wipe

# ONDA vetro

Design

<sup>new</sup>  
600 800

AIS 304



Design