

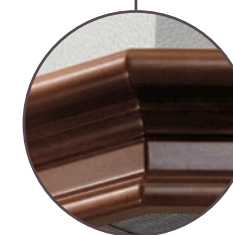
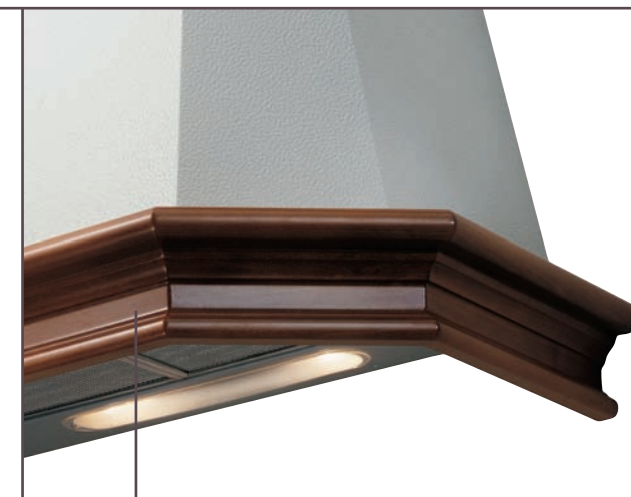
# PENTA

## Caratteristiche generali

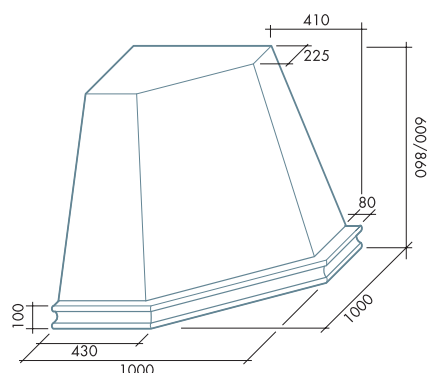
Acciaio verniciato. Filtro antigrasso metallico, asportabile e lavabile. Filtro carbone. Slider. Finitura bordo inferiore in legno.

## General features

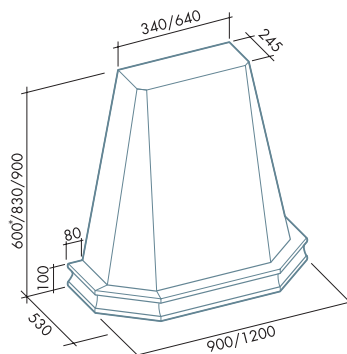
Painted steel, aluminium grease filters, removable and washable, charcoal filters, slider control, wooden frame.



Bordo inferiore: legno  
Lower frame: wood

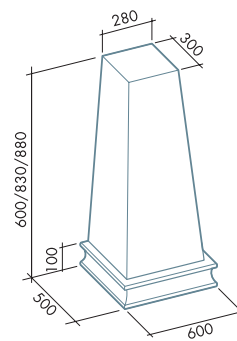


angola/wall corner



parete/wall

\* 650 nella versione da 1200  
\* 650 mm for 1200 version



parete/wall



isola/island

/

/

/



parete/wall

60 (h 60/83/90)

90 (h 60/83/90)

120 (h 60/83/90)



angola/wall corner

/

100 x 100

/

### motore e comandi / motor and control

450 m<sup>3</sup>/h 3 vel.    600 m<sup>3</sup>/h 3 vel.    800 m<sup>3</sup>/h 4 vel.

### filtri / filters

"Base"    "Design"    carbone/charcoal

### illuminazione / lighting

Halogen lamp    Dicroica lamp    Incandescent lamp    Fluorescent lamp

	motore e comandi / motor and control			filtri / filters			illuminazione / lighting			
	450 m <sup>3</sup> /h 3 vel.	600 m <sup>3</sup> /h 3 vel.	800 m <sup>3</sup> /h 4 vel.	"Base"	"Design"	carbone/charcoal	Halogen lamp	Dicroica lamp	Incandescent lamp	Fluorescent lamp
isola/island										
parete/wall										
60 (h 60/83/90)	SL.	SL.		235 x 245 mm		2			2 x 25 Watt	
90 (h 60/83/90)	SL.	SL.		235 x 245 mm		2			2 x 25 Watt	
120 (h 60/83/90)	SL.	SL.		235 x 245 mm		2			2 x 25 Watt	
angola/wall corner										
100 x 100	SL.	SL.		235 x 245 mm		2			2 x 25 Watt	

# PENTA

Classic

450 600

