

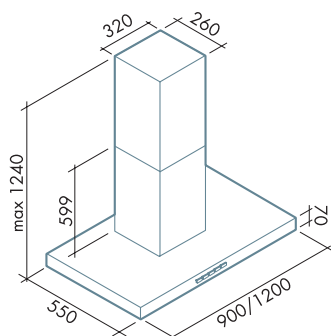
# PLANE

## Caratteristiche generali

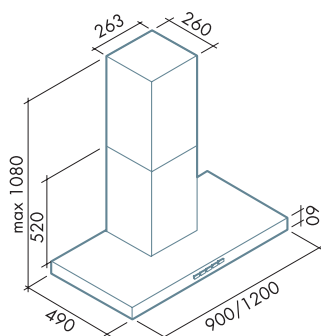
Acciaio inox (AISI 304) spazzolato. Filtro antigrasso metallico, asportabile e lavabile. Filtro carbone.

## General features

Scotch brite Stainless steel (AISI 304). Metallic grease filter, removable and washable. Charcoal filter.



isola/island



parete/wall



**NEW!**  
Faretto alogeno con apertura "Easy Open"  
Halogen light with "Easy Open" system



isola/island
/
90
120



parete/wall
/
90
120

motore e comandi / motor and control			filtri / filters			illuminazione / lighting						
450 m <sup>3</sup> /h	3 vel.	600 m <sup>3</sup> /h	3 vel.	800 m <sup>3</sup> /h	4 vel.	"Base"	"Top"	carbone/charcoal	Halogen lamp	Dicroica lamp	Incandescent lamp	Fluorescent lamp
		P.M.		P.E.L.			278 x 301 mm	3	4 x 20 Watt			
		P.M.		P.E.L.			278 x 301 mm	3	4 x 20 Watt			
		P.M.		P.E.L.			278 x 301 mm	3	2 x 20 Watt			
		P.M.		P.E.L.			285 x 301 mm	3	3 x 20 Watt			

ACCESSORI OPZIONALI DISPONIBILI: Aspiratore sottotetto (solo versione 800 m<sup>3</sup>/h) - Aspiratore esterno (solo versione 800 m<sup>3</sup>/h) - Prolunga camino parete - Prolunga camino isola - Kit parete acciaio - Salvietta *Magic Steel*  
AVAILABLE OPTIONAL ACCESSORIES: Under-roof extractor fan (only 800 m<sup>3</sup>/h version) - Outdoor extractor fan (only 800 m<sup>3</sup>/h version) - Wall chimney extension - Island chimney extension - Stainless steel backsplash - *Magic Steel* protective and cleaning wipe

# PLANE

Design

<sup>new</sup>  
450 600 800

AISI 304

