



NEW

**PLANE WHITE**
**800**  
m<sup>3</sup>/h


- Acciaio finitura bianca lucida
- Filtro antigrasso metallico, asportabile e lavabile
- Pulsantiera elettronica
- Fari alogeni "easy open"
- Filtro carbone incluso

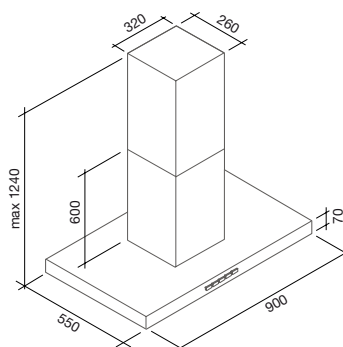
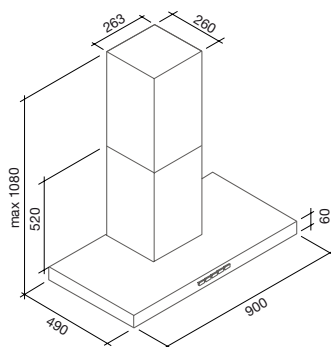
- Painted glossy white steel
- Metallic grease filter, removable and washable
- Electronic control
- Halogen lights "easy open"
- Charcoal filter included

**Parete / Wall – 90 cm**

Motore e Comandi / Motor and Control	800 m <sup>3</sup> /h P.E.L. 4 vel.
Filtri / Filters	"Base" 278x301 mm carbone/charcoal: 3
Illuminazione: Alogeno Lighting: Halogen	2 x 20 W

**Isola / Island – 90 cm**

Motore e Comandi / Motor and Control	800 m <sup>3</sup> /h P.E.L. 4 vel.
Filtri / Filters	"Base" 278x301 mm carbone/charcoal: 3
Illuminazione: Alogeno Lighting: Halogen	4 x 20 W


**Plane White Parete / Wall 90 800 m<sup>3</sup>/h**

Accessori opzionali disponibili: Aspiratore sottotetto - Aspiratore esterno  
Available optional accessories: Under-roof extractor fan - Outdoor extractor fan

**Plane White Isola / Island 90 800 m<sup>3</sup>/h**

 bianco / white