

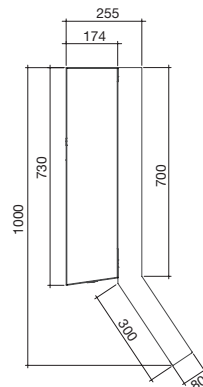
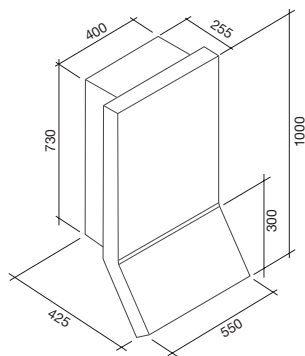
**NEW** ■ **RIALTO TOP**

- Acciaio inox Fasteel antimpronta, finitura spazzolato e fianchi satinati neri
- Filtri Top asportabili e lavabili
- Pulsantiera elettronica
- Luce "ambiente" LED
- Illuminazione LED
- Filtro carbone incluso

- Fasteel steel and black satin finishing sides
- Top filters removable and washable
- Electronic control
- LED ambient light
- LED lighting
- Charcoal filter included

**Parete / Wall – 55 cm**

Motore e Comandi / Motor and Control	800 m <sup>3</sup> /h P.E.L. 4 vel.
Filtri / Filters	"Top" 279x139 mm "Top" 235x245 mm
Illuminazione / Lighting:	2 LED x 1 W 2 Fasce posteriori LED 2 rear LED stripes



**reddot** design award  
winner 2010

**Rialto Top Parete / Wall 55 800 m<sup>3</sup>/h**

Accessori opzionali disponibili: Aspiratore sottotetto - Aspiratore esterno  
Available optional accessories: Under-roof extractor fan - Outdoor extractor fan

