



FalmeoLab

NEW ■ **STREAM**

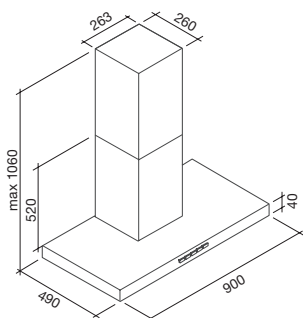


- Acciaio inox (AISI 304) spazzolato
- Filtri Top asportabili e lavabili
- Pulsantiera elettronica
- Fari alogeni "easy open"
- Filtro carbone incluso

- Scotch brite stainless steel (AISI 304)
- Top filters removable and washable
- Electronic control
- Halogen lights "easy open"
- Charcoal filter included

Parete / Wall - 90 cm

| | |
|---------------------------------------------|-----------------------------------------|
| Motore e Comandi / Motor and Control | 800 m ³ /h P.E.L. 4 vel. |
| Filtri / Filters | "Top" 278x301 mm carbone/charcoal: 3 |
| Illuminazione: Alogeno Lighting: Halogen | 2 x 20 W |



Stream Parete / Wall 90 800 m³/h

Accessori opzionali disponibili: Aspiratore sottotetto - Aspiratore esterno - Prolunga parete. Available optional accessories: Under-roof extractor fan - Outdoor extractor fan - Wall chimney extension.