

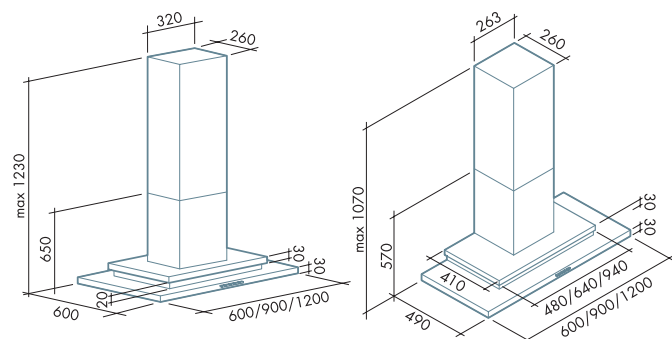
SYMBOL

Caratteristiche generali

Acciaio inox (AISI 304) spazzolato. Filtro antigrasso metallico, asportabile e lavabile. Filtro carbone.

General features

Scotch brite Stainless steel (AISI 304). Metallic grease filter, removable and washable. Charcoal filter.



isola/island

parete/wall



NEW!
Faretto alogeno con apertura "Easy Open"
Halogen light with "Easy Open" system



isola/island

60

90

120



parete/wall

60

90

120

motore e comandi / motor and control

450 m ³ /h <u>3 vel.</u>	600 m ³ /h <u>3 vel.</u>	800 m ³ /h <u>4 vel.</u>
	P.M.	P.E.L.
	P.M.	P.E.L.
	P.M.	P.E.L.
P.M.	P.M.	P.E.L.
P.M.	P.M.	P.E.L.
	P.M.	P.E.L.

filtri / filters

"Base"	"Top"	carbone/charcoal
	278 x 301 mm	3
	278 x 301 mm	3
	285 x 301 mm	3
	278 x 301 mm	3
	278 x 301 mm	3
	285 x 301 mm	3

illuminazione / lighting

Halogen lamp	Dicroica lamp	Incandescent lamp	Fluorescent lamp
4 x 20 Watt			
4 x 20 Watt			
4 x 20 Watt			
2 x 20 Watt			
2 x 20 Watt			
2 x 20 Watt			

ACCESSORI OPZIONALI DISPONIBILI: Aspiratore sottotetto (solo versione 800 m³/h) - Aspiratore esterno (solo versione 800 m³/h) - Prolunga camino parete - Prolunga camino isola - Kit parete acciaio - Salvietta *Magic Steel*

AVAILABLE OPTIONAL ACCESSORIES: Under-roof extractor fan (only 800 m³/h version) - Outdoor extractor fan (only 800 m³/h version) - Wall chimney extension - Island chimney extension - Stainless steel backsplash - *Magic Steel* protective and cleaning wipe

SYMBOL

Design

^{new}
450 600 800

AISI 304



Design